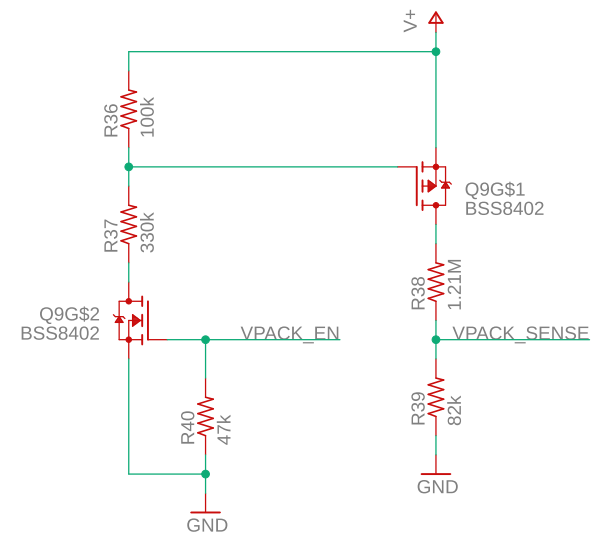
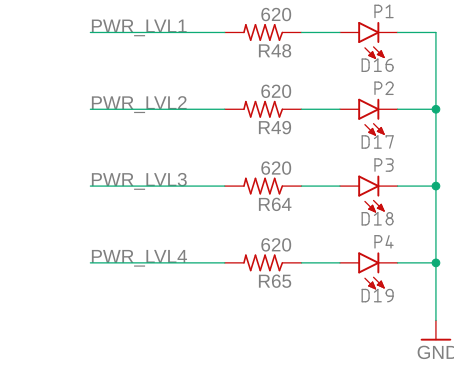
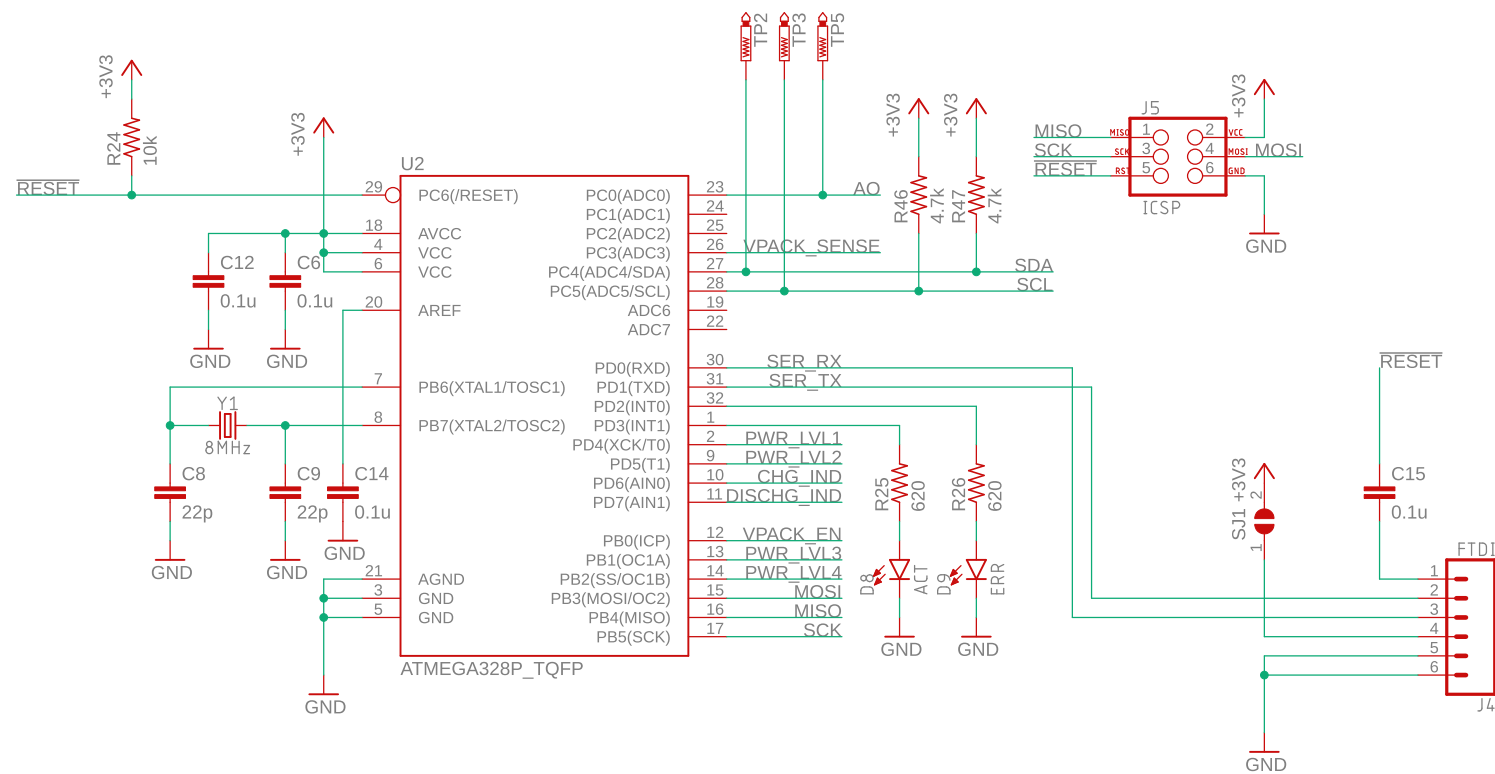


Discharge Current Sense
 R27/28 set discharge current threshold
 100mA Discharge Current

Charge Current Sense
 R31 sets charge current threshold
 100mA Charge Current

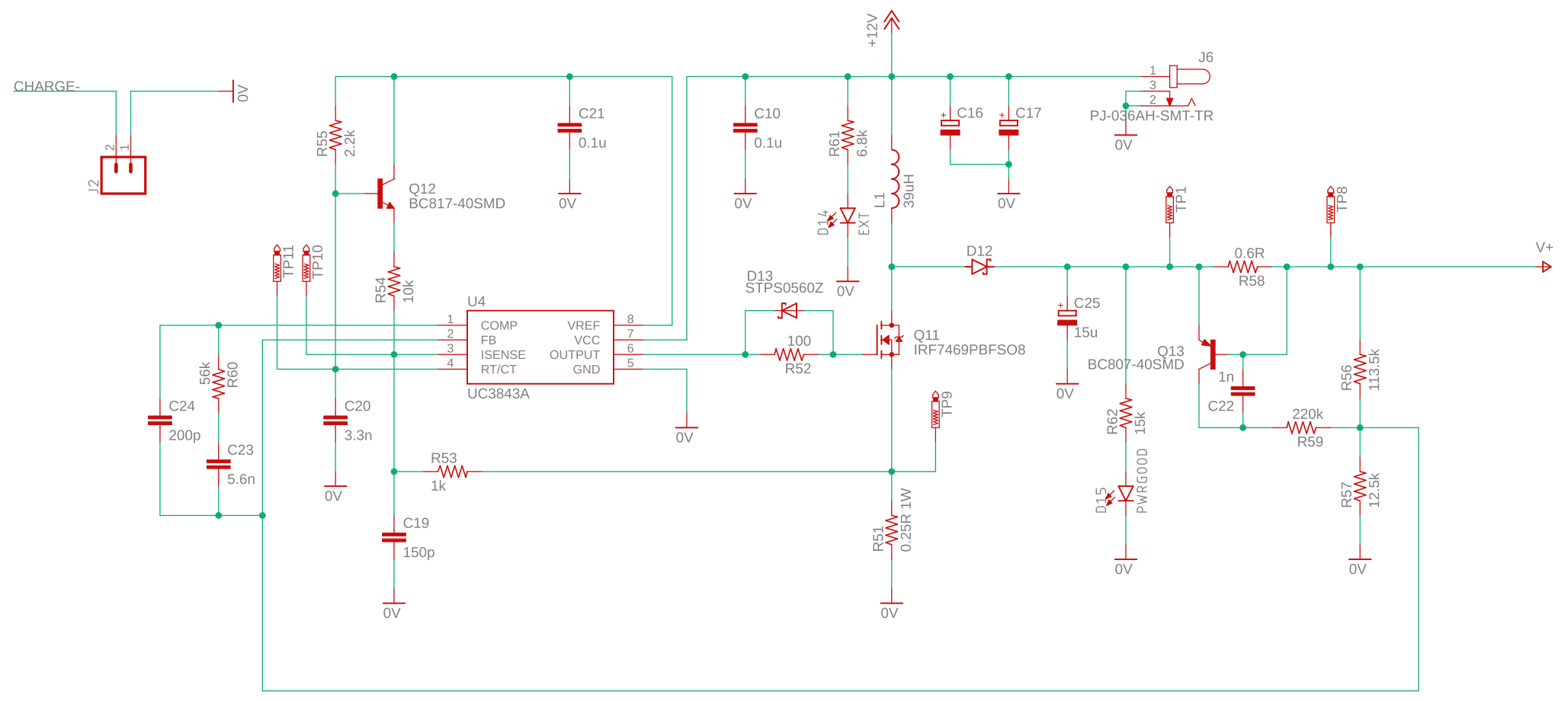
For over-temp at 55C

TITLE: BMSBoard3R1	
Document Number:	REV:
Date: 9/8/2019 11:00 PM	Sheet: 1/3



Pack Voltage Sense
R39/38 set voltage ratio

TITLE: BMSBoard3R1	
Document Number:	REV:
Date: 9/8/2019 11:00 PM	Sheet: 2/3



TITLE: BMSBoard3R1	
Document Number:	REV:
Date: 9/8/2019 11:00 PM	Sheet: 3/3