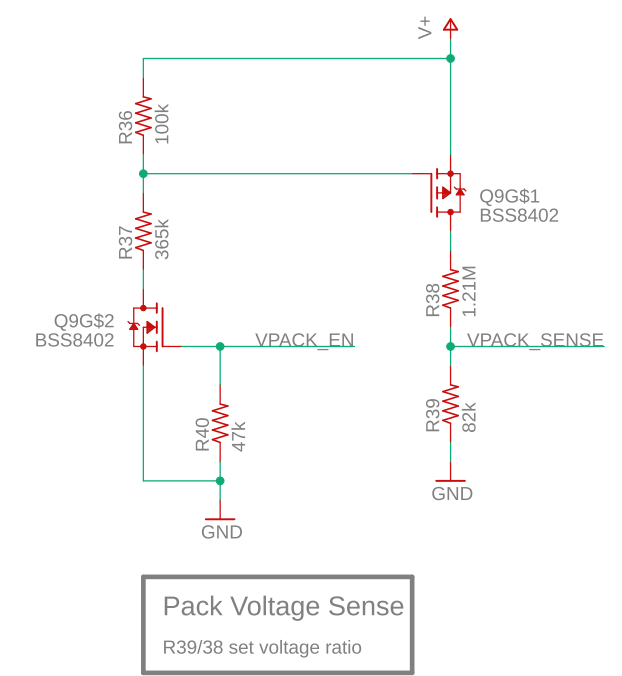
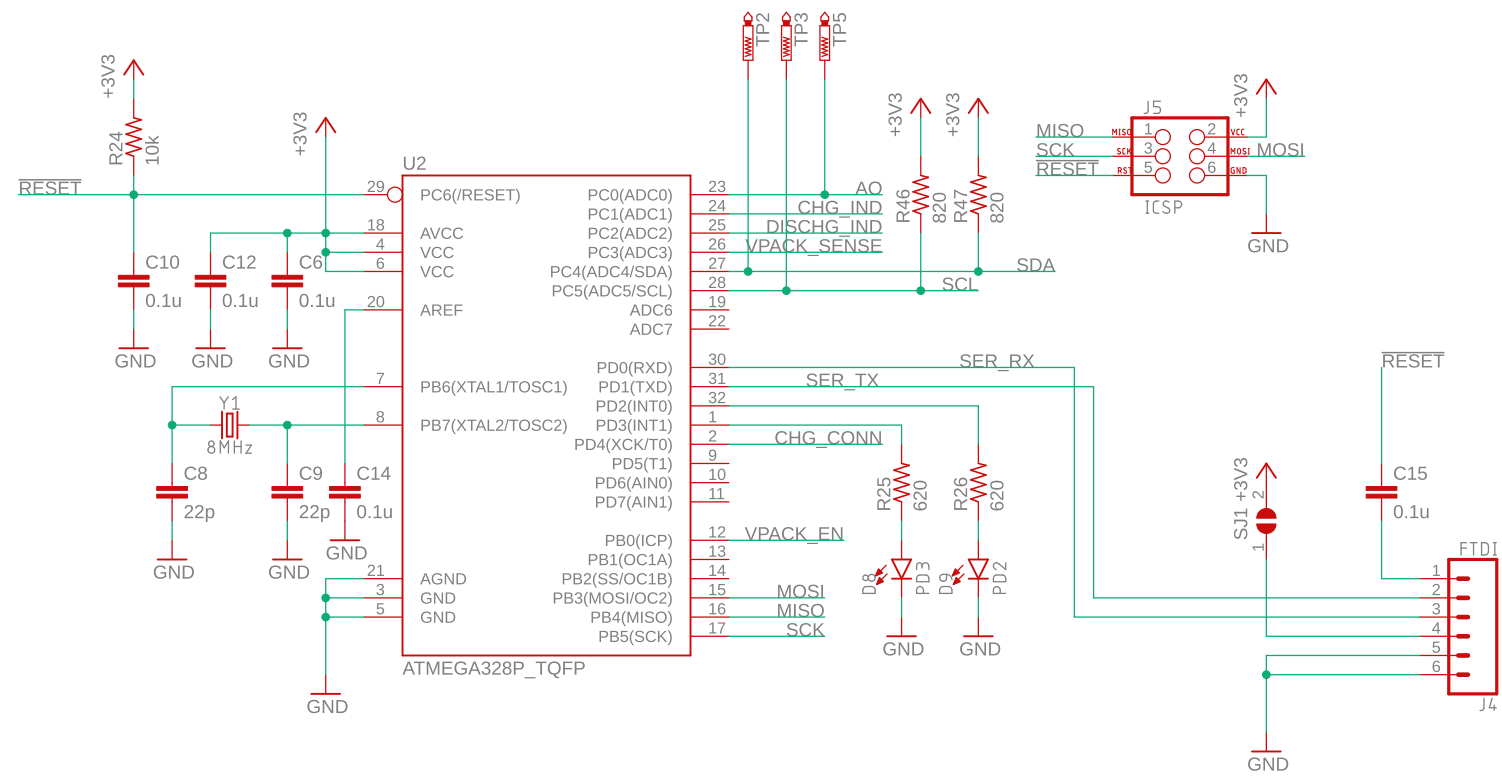


Discharge Current Sense
 R27/28 set discharge current threshold
 100mA Discharge Current

Charge Current Sense
 R31 sets charge current threshold
 100mA Charge Current

For over-temp at 55C

TITLE: BMSBoard2R1	
Document Number:	REV:
Date: 9/4/2019 10:09 AM	Sheet: 1/2



Pack Voltage Sense
R39/38 set voltage ratio

TITLE: BMSBoard2R1	
Document Number:	REV:
Date: 9/4/2019 10:09 AM	Sheet: 2/2